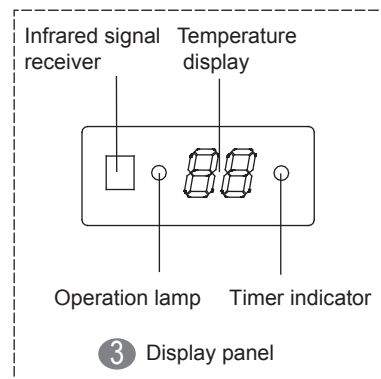
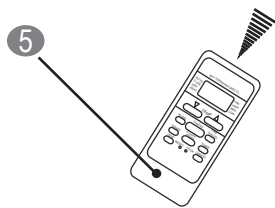
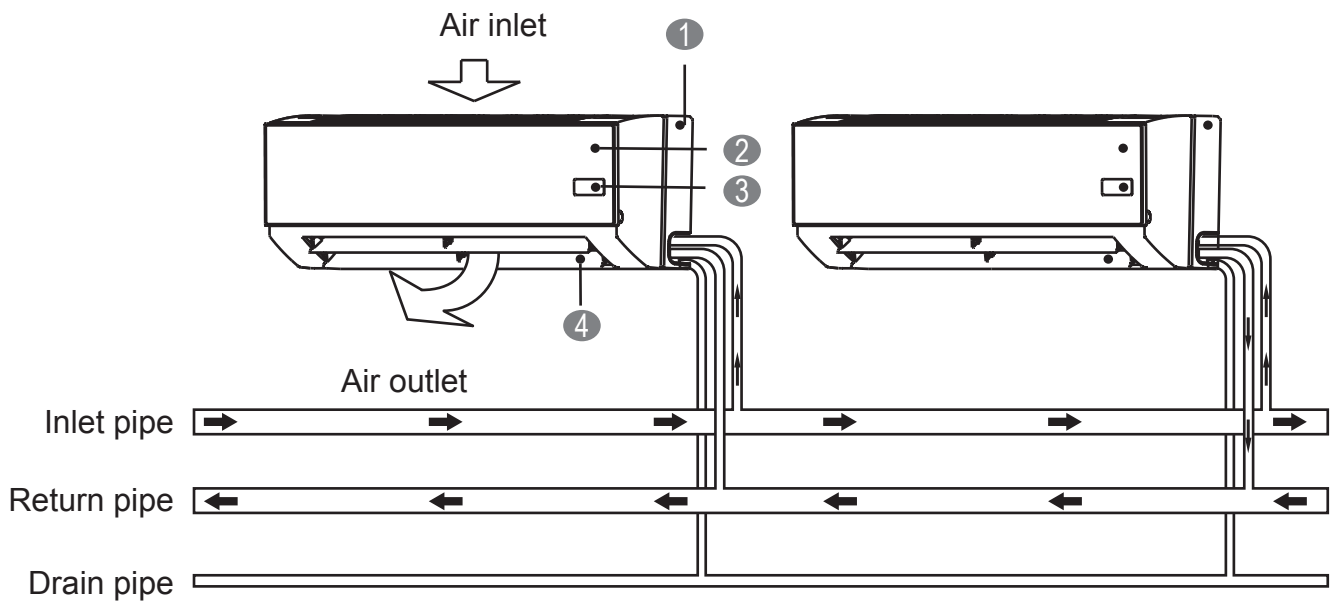


OWNER'S MANUAL

Wall-mounted Fan Coil Type



- 1 Bottom plate
- 2 Faceplate
- 3 Display panel
- 4 Horizontal air deflector
- 5 Remote controller

1. IMPORTANT SAFETY INFORMATION

To prevent injury to the user or other people and property damage, the following instructions must be followed. Incorrect operation due to ignoring of instructions may cause harm or damage.

The safety precautions listed are divided into two categories. In either case, important safety information is listed which must be read carefully.



WARNING

Failure to observe a warning may result in death.



CAUTION

Failure to observe a caution may result in injury or damage to the equipment.



WARNING

Do not cut off the power supply manually when the air conditioner running, otherwise malfunction would be caused.

Ask your dealer for installation of the air conditioner.

Incomplete installation performed by yourself may result in a water leakage, electric shock, and fire.

Ask your dealer for improvement, repair, and maintenance.

Incomplete improvement, repair, and maintenance may result in a water leakage, electric shock, and fire.

In order to avoid electric shock, fire or injury, or if you detect any abnormality such as smell of fire, turn off the power supply and call your dealer for instructions.

Never let the indoor unit or the remote controller get wet.

It may cause an electric shock or a fire.

Never press the button of the remote controller with a hard, pointed object.

The remote controller may be damaged.

Never replace a fuse with that of wrong rated current or other wires when a fuse blows out.

Use of wire or copper wire may cause the unit to break down or cause a fire.

It is not good for your health to expose your body to the air flow for a long time.

Do not insert fingers, rods or other objects into the air inlet or outlet.

When the fan is rotating at high speed, it will cause injury.

Never use a flammable spray such as hair spray, lacquer or paint near the unit.

It may cause a fire.

Never touch the air outlet or the horizontal blades while the swing flap is in operation.

Fingers may become caught or the unit may break down.

Never put any objects into the air inlet or outlet.

Objects touching the fan at high speed can be dangerous.

Never inspect or service the unit by yourself.

Ask a qualified service person to perform this work.

Do not dispose this product as unsorted municipal waste. Collection of such waste separately for special treatment is necessary.

To prevent water leak, contact your dealer.

When the system is installed and runs in a small room, it is required to keep the concentration of the water, if by any chance coming out, below the limit. The cool capacity would be lower.

Turn off any combustible heating devices, ventilate the room, and contact the dealer where you purchased the unit.

Do not use the air conditioner until a service person confirms that the portion where the water leaks is repaired.



CAUTION

Do not use the air conditioner for other purposes.

In order to avoid any quality deterioration, do not use the unit for cooling precision instruments, food, plants, animals or works of art.

Before cleaning, be sure to stop the operation, turn the breaker off or pull out the supply cord.

Otherwise, an electric shock and injury may result.

In order to avoid electric shock or fire, make sure that an earth leak detector is installed.

Be sure the air conditioner is grounded.

In order to avoid electric shock, make sure that the unit is grounded and that the earth wire is not connected to gas or water pipe, lightning conductor or telephone earth wire.

In order to avoid injury, do not remove the fan guard of the outdoor unit.

Do not operate the air conditioner with a wet hand.

An electric shock may happen.

Do not touch the heat exchanger fins.

These fins are sharp and could result in cutting injuries.

Do not place items which might be damaged by moisture under the indoor unit.

Condensation may form if the humidity is above 80%, the drain outlet is blocked or the filter is polluted.

After a long use, check the unit stand and fitting for damage.

If damaged, the unit may fall and result in injury.

To avoid oxygen deficiency, ventilate the room sufficiently if equipment with burner is used together with the air conditioner.

Arrange the drain hose to ensure smooth drainage.

Incomplete drainage may cause wetting of the building, furniture etc.

Never touch the internal parts of the controller.

Do not remove the front panel. Some parts inside are dangerous to touch, and a machine trouble may happen.

Never expose little children, plants or animals directly to the air flow.

Adverse influence to little children, animals and plants may result.

Do not allow a child to mount on the outdoor unit or avoid placing any object on it.

Falling or tumbling may result in injury.

Do not operate the air conditioner when using a room fumigation - type insecticide.

Failure to observe could cause the chemicals to become deposited in the unit, which could endanger the health of those who are hypersensitive to chemicals.

Do not place appliances which produce open fire in places exposed to the air flow from the unit or under the indoor unit.

It may cause incomplete combustion or deformation of the unit due to the heat.

Do not install the air conditioner at any place where flammable gas may leak out.

If the gas leaks out and stays around the air conditioner, a fire may break out.

The appliance is not intended for use by young children or infirm persons without supervision.

Young children should be supervised to ensure that they do not play with the appliance.



DISPOSAL: Do not dispose this product as unsorted municipal waste. Collection of such waste separately for special treatment is necessary.

- Do not dispose of electrical appliances as unsorted municipal waste, use separate collection facilities.
- Contact your local government for information regarding the collection systems available.
- Don't install the air conditioner in salty air surrounding (near the coast).

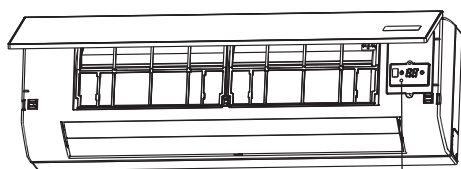
If electrical appliances are disposed of in landfills or dumps, hazardous substances can leak into the groundwater and get into the food chain, damaging your health and well-being

2. PARTS NAMES

The air conditioner consists of the indoor unit, the outdoor unit, the connecting pipe and the remote controller.

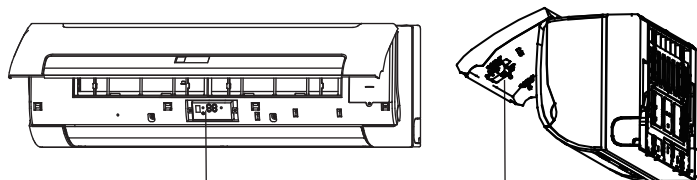
■ Temporary button

C faceplate

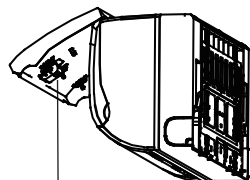


Temporary button

S faceplate



Temporary button



Temporary button

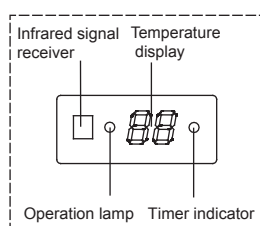


Fig.2-1

Open the faceplate, and you can find the temporary button on the display panel. (Refer to Fig 2-1)

This function is used to operate the unit temporarily in case you misplace the remote controller or its batteries are exhausted. Two modes including AUTO and FORCED COOL can be selected through the TEMPORARY BUTTON. Once you push this button, the air conditioner will run in such order: AUTO, FORCED COOL, OFF, and back to AUTO.

- 1 AUTO
The OPERATION lamp is lit, and the air conditioner will run under AUTO mode. The remote controller operation is enabled to operate according to the received signal.
- 2 FORCED COOL
The OPERATION lamp flashes, the air conditioner will turn to AUTO after it is enforced to cool with a wind speed of HIGH for 30 minutes. The remote controller operation is disabled.
- 3 OFF
The OPERATION lamp goes off. The air conditioner is OFF while the remote controller operation is enabled.



NOTE

This manual does not include Remote Controller Operations, see the <<Remote Controller Owner's manual>> packed with the unit for details.

3. OPERATION RANGE

Use the system in the following temperature for safe and effective operation.

Table 3-1

| Temperature Mode | Outdoor temperature | Room temperature | water inlet temperature |
|--|---------------------|------------------|-------------------------|
| Cooling operation | 21°C~43°C | 17°C~32°C | 3°C~20°C |
| Heating operating (cooling only type without) | -5°C~24°C | 0°C~30°C | 30°C~70°C |



NOTE

- 1 If air conditioner is used outside the above conditions, it may cause the unit to function abnormally.
- 2 The phenomenon is normal that the surface of air conditioning may condense water when the relative larger humidity in room, please close the door and window.
- 3 Optimum performance will be achieved within these operating temperature range.
- 4 Water system operating pressure: Max: 1.6MPa, Min: 0.15MPa.

4. HINTS FOR ECONOMICAL OPERATION

The following should be noticed to ensure an economical operation.

- Adjust the air flow louver properly and avoid direct air flow to room inhabitants.
- Adjust the room temperature properly for a comfortable environment. Avoid excessive heating or cooling.
- Prevent direct sunlight during cooling operation by using curtains or blinds.
- Ventilate often. Extended use requires special attention to ventilation.
- Keep doors and windows closed. If the doors and windows remain open, air will flow out of your room causing a decrease in the cooling or heating effect.
- Never place objects near the air inlet or the air outlet of the unit. It may cause deterioration in the effect or stop the operation.
- Never place objects near the air inlet or the air outlet of the unit. It may cause deterioration in the effect or stop the operation.
- Set the timer .
- If you don't plan to use the unit for a long time, please take the batteries from the remote controller. When the power is on, some energy will be consumed,even if the air conditioner isn't in operation. So please disconnect the power to save energy.
- Keep the indoor unit and remote controller at least 1 m away from televisions, radios, stereos, and other similar equipment. Failing to do so may cause static or distorted pictures.
- A dirty air filter will reduce cooling or heating efficiency, please clean it once two weeks.

5. ADJUSTING AIR FLOW DIRECTION

While the unit is in operation, you can adjust the air flow louver to change the flow direction and naturalize the room temperature evenly. Thus you can enjoy it more comfortably.

- **Adjust horizontal air**
Adjust horizontal air deflector by remote controller.

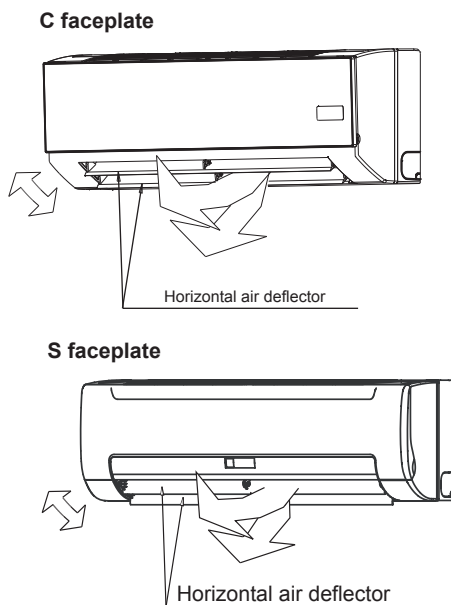


Fig.5-1

- **Adjust vertical air**
Open the horizontal air deflector, and then manually adjust vertical air deflector.

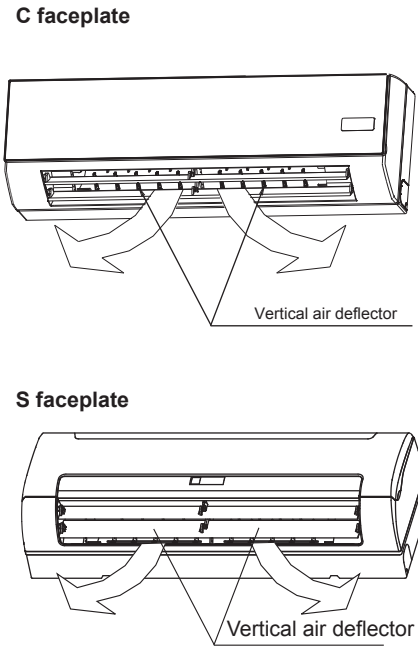


Fig.5-2

6. MAINTENANCE



CAUTION

Before you clean the air conditioner, be sure the power supply is off.

Check if the wiring is not broken off or disconnected.

Disconnect the power supply before cleaning and maintenance. Use dry cloth to clean the unit.

Use a dry cloth to wipe the indoor unit and remote controller.

A wet cloth may be used to clean the indoor unit if it is very dirty.

Never use a damp cloth on the remote controller.

Do not use a chemically-treated duster for wiping or leave such material on the unit for long. it may damage or fade the surface of the unit.

Do not use benzine, thinner, polishing powder, or similar solvents for cleaning. These may cause the plastic surface to crack or deform.

- **Maintenance after a long stop period**

(eg. at the beginning of the season)

Check and remove everything that might be blocking inlet and outlet vents of indoor units and outdoor units.

Clean air filters and casings of indoor units. Refer to "Cleaning the air filter" for details on how to proceed and make sure to install cleaned air filters back in the same position.

■ Maintenance before a long stop period

(eg. at the beginning of the cold season)

Drain the water system(for all heat exchangers).

To avoid the risk of rupture due to freezing, it is advisable to drain the water from the system at the beginning of the cold season

■ Maintenance before a long stop period

(eg. at the end of the season)

Let the indoor units run in fan only operation for about half a day in order to dry the interior of the units.

Clean air filters and casings of indoor units. Refer to "Cleaning the air filter" for details on how to proceed and make sure to install cleaned air filters back in the same position.

■ Cleaning the air filter and net of clear air

The air filter can prevent the dust or other particulate from going inside .In case of blockage of the filter , the working efficiency of the air conditioner may greatly decrease . Therefore , the filter must be cleaned once two weeks during long time usage.

If the air conditioner is installed in a dust place , clean the the air filter frequent.

If the accumulated dust is too heavy to be cleaned , please replace the filter with a new one(replaceable air filter is an optional fitting).

- 1 **Open the faceplate,then Dismantle the air filter and net of clear air.**
- 2 **Clean the air filter**
Vacuum cleaner or pure water may be used to clean the air filter.If the dust accumulation is too heavy , please use soft brush and mild detergent to clean it and dry out in cool place
 - *The air-in side should face up when using vacuum cleaner. (Refer to Fig 6-2)*
 - *The air-in side should face down when using water. (Refer to Fig 6-3)*
- 3 **Re-install the air filter and net of clear air.**
- 4 **Close the faceplate.**

S faceplate

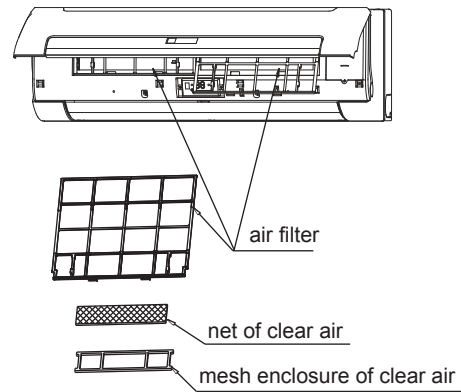


Fig.6-1

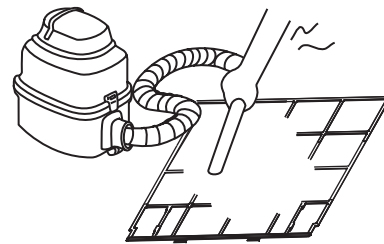


Fig.6-2

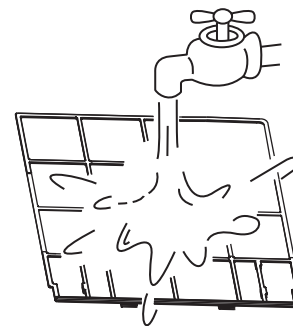


Fig.6-3

7. FOLLOWING SYMPTOMS ARE NOT AIR CONDITIONER TROUBLES

Symptom 1: The system does not operate

- The air conditioner does not start immediately after the ON/OFF button on the remote controller is pressed.
If the operation lamp lights, the system is in normal condition.To prevent overloading of the compressor motor, the air conditioner starts 3 minutes after it is turned ON.
- If the operation lamp and the "PRE-DEF indicator(cooling and heating type) or fan only indicator(cooling only type)" light, it means you choose the heating model, When just starting, if the compressor has not started, the indoor unit appears "anti cold wind" protection because of its overlow outlet temperature.

Symptom 2: Change into the fan mode during cooling mode

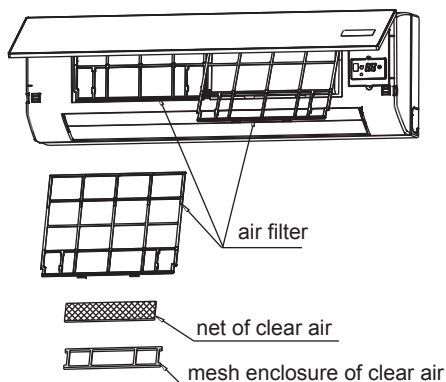
- In order to prevent the indoor evaporator frosting, the system will change into fan mode automatically, restore to the cooling mode after soon.
- When the room temperature drops to the set temperature, the compressor goes off and the indoor unit changes to fan mode; when the temperature rises up, the compressor starts again. It is same in the heating mode.



CAUTION

Do not dry out the air filter under direct sunshine or with fire.

C faceplate



Symptom 3: White mist comes out of a unit

Symptom 3.1: Indoor unit

- When humidity is high during cooling operation If the interior of an indoor unit is extremely contaminated, the temperature distribution inside a room becomes uneven. It is necessary to clean the interior of the indoor unit. Ask your dealer for details on cleaning the unit. This operation requires a qualified service person.

Symptom 3.2: Indoor unit, outdoor unit

- When the system is changed over to heating operation after defrost operation Moisture generated by defrost becomes steam and is exhausted.

Symptom 4: Noise of air conditioners cooling

Symptom 4.1: Indoor unit

- A continuous low "shah" sound is heard when the system is in cooling operation or at a stop. When the drain pump (optional accessories) is in operation, this noise is heard.
- A "pishi-pishi" squeaking sound is heard when the system stops after heating operation. Expansion and contraction of plastic parts caused by temperature change make this noise.

Symptom 4.2: Outdoor unit

- When the tone of operating noise changes. This noise is caused by the change of frequency.

Symptom 5: Dust comes out of the unit

- When the unit is used for the first time in a long time. This is because dust has gotten into the unit.

Symptom 6: The units can give off odours

- The unit can absorb the smell of rooms, furniture, cigarettes, etc., and then emit it again.

Table 8-1

| Symptoms | Causes | Solution |
|---|--|--|
| Unit does not start | <ul style="list-style-type: none"> Power failure. Power switch is off. Fuse of power switch may have burned. Batteries of remote controller exhausted or other problem of controller. | <ul style="list-style-type: none"> Wait for the comeback of power. Switch on the power. Replace the fuse. Replace the batteries or check the controller. |
| Air flowing normally but completely can't cooling | <ul style="list-style-type: none"> Temperature is not set correctly. | <ul style="list-style-type: none"> Set the temperature properly. |
| Low cooling effect | <ul style="list-style-type: none"> Indoor unit heat exchanger is dirty. The air filter is dirty. Inlet of indoor units is blocked. Doors and windows are open Sunlight directly shine. Too much heat resource. Outdoor temp. is too high. | <ul style="list-style-type: none"> Clean the heat exchanger. Clean the air filter. Eliminate all dirties and make air smooth. Close doors and windows. Make curtains in order to shelter from sunshine. Reduce heat source. AC cooling capacity reduces (normal). |
| Low heating effect | <ul style="list-style-type: none"> Outdoor temperature is lower than 7°C . Doors and windows not completely closed. | <ul style="list-style-type: none"> Use heating device. Close doors and windows. |

Symptom 7: The outdoor unit fan does not spin.

- During operation. The speed of the fan is controlled in order to optimize product operation.

Table 7-1

| NO. | Malfunction | alarm lamp |
|-----|---|------------|
| 1 | Room temperature sensor check channel is abnormal. | E2 |
| 2 | Evaporator sensor checking channel is abnormal.(T2C) | E3 |
| 3 | Evaporator sensor checking channel is abnormal.(T2H) | E4 |
| 4 | EEprom malfunction. | E7 |
| 5 | Fan failure. | E8 |
| 6 | Protection against freezing | P0 |
| 7 | Excess water temperature protection | P1 |
| 8 | Water-level switch malfunction. | EE |
| 9 | Not set models. | PF |
| 10 | Indoor unit switch at long-range controller is dialed to OFF. | --- |

8. TROUBLESHOOTING

8.1. Troubles and causes of air conditioner

If one of the following malfunctions occur, stop operation, shut off the power, and contact with your dealer.

- The operation lamp is flashing rapidly (twice every second) This lamp is still flashing rapidly after turn off the power and turn on again.
- Remote controller receives malfunction or the button does not work well.
- A safety device such as a fuse, a breaker frequently actuates.
- Water leaks from indoor unit.
- Other malfunctions.

8.2. Troubles and causes of remote controller

Before asking for serving or repairing , check the following points.

(Refer to Table 8-2)

Table 8-2

| Symptoms | Causes | Solution |
|--|--|---|
| The fan speed can not be changed. | <ul style="list-style-type: none"> ● Check whether the MODE indicated on the display is "AUTO" | When the automatic mode is selected, the air conditioner will automatically change the fan speed. |
| | <ul style="list-style-type: none"> ● Protection against hot wind in cooling mode. ● Protection against cold wind in heating mode. | Reduce the temperature of inlet in cooling mode rise the temperature of inlet in heating mode. |
| The remote controller signal is not transmitted even when the ON/OFF button is pushed. | <ul style="list-style-type: none"> ● Check whether the batteries in the remote controller are exhausted. | The power supply is off. |
| The TEMP. indicator does not come on. | <ul style="list-style-type: none"> ● Check whether the MODE indicated on the display is FAN ONLY | The temperature cannot be set during FAN mode. |
| The indication on the display disappears after a lapse of time. | <ul style="list-style-type: none"> ● Check whether the timer operation has come to an end when the TIMER OFF is indicated on the display. | The air conditioner operation will stop up to the set time |
| The TIMER ON indicator goes off after a lapse of certain time. | <ul style="list-style-type: none"> ● Check whether the timer operation is started when the TIMER ON is indicated on the display. | Up to the set time, the air conditioner will automatically start and the appropriate indicator will go off. |
| No receiving tone sounds from the indoor unit even when the ON/OFF button is pressed. | <ul style="list-style-type: none"> ● Check whether the signal transmitter of the remote controller is properly directed to the infrared signal receiver of the indoor unit when the ON/OFF button is pressed. | Directly transmit the signal transmitter of the remote controller to the infrared signal receiver of the indoor unit, and then repeatedly push the ON/OFF button twice. |

| MODE:MKG-V250 | | | |
|---|----------|----------|------|
| Information to identify the model(s) to which the information relation: | | | |
| Item | Symbol | Value | Unit |
| Cooling capacity(sensible) | Prated,c | 2.15 | kW |
| Cooling capacity(latent) | Prated,c | 0.55 | kW |
| Heating capacity | Prated,h | 2.94 | kW |
| Total electric power input | Pelec | 0.013 | kW |
| Sound power level(per speed setting,if applicable) | LWA | 44/42/39 | dB |
| contact details | | | |

| MODE:MKG-V300 | | | |
|---|----------|----------|------|
| Information to identify the model(s) to which the information relation: | | | |
| Item | Symbol | Value | Unit |
| Cooling capacity(sensible) | Prated,c | 2.33 | kW |
| Cooling capacity(latent) | Prated,c | 0.58 | kW |
| Heating capacity | Prated,h | 3.23 | kW |
| Total electric power input | Pelec | 0.015 | kW |
| Sound power level(per speed setting,if applicable) | LWA | 44/39/35 | dB |
| contact details | | | |

| MODE:MKG-V400 | | | |
|---|----------|----------|------|
| Information to identify the model(s) to which the information relation: | | | |
| Item | Symbol | Value | Unit |
| Cooling capacity(sensible) | Prated,c | 3.18 | kW |
| Cooling capacity(latent) | Prated,c | 0.63 | kW |
| Heating capacity | Prated,h | 4.3 | kW |
| Total electric power input | Pelec | 0.034 | kW |
| Sound power level(per speed setting,if applicable) | LWA | 57/51/47 | dB |
| contact details | | | |

| MODE:MKG-V500 | | | |
|---|----------|----------|------|
| Information to identify the model(s) to which the information relation: | | | |
| Item | Symbol | Value | Unit |
| Cooling capacity(sensible) | Prated,c | 3.67 | kW |
| Cooling capacity(latent) | Prated,c | 0.8 | kW |
| Heating capacity | Prated,h | 4.84 | kW |
| Total electric power input | Pelec | 0.026 | kW |
| Sound power level(per speed setting,if applicable) | LWA | 50/46/42 | dB |
| contact details | | | |

MODE:MKG-V600

Information to identify the model(s) to which the information relates:

| Item | Symbol | Value | Unit |
|--|----------|----------|------|
| Cooling capacity(sensible) | Prated,c | 4.11 | kW |
| Cooling capacity(latent) | Prated,c | 0.76 | kW |
| Heating capacity | Prated,h | 5.26 | kW |
| Total electric power input | Pelec | 0.038 | kW |
| Sound power level(per speed setting,if applicable) | LWA | 56/52/47 | dB |
| contact details | | | |

印刷技术要求

| | |
|----|-------------|
| 材质 | 双胶纸80g |
| 规格 | 210*297(双面) |
| 颜色 | 黑白 |
| 其他 | / |

| 日期 | 版本号 | 更改页 | 更改内容 | 更改人 |
|-------------|-----|-----|--|-----|
| | | | <p>版本说明，此页不做菲林。</p> <p>1. C版本在B版本上更改第五页故障代码。</p> <p>2、版本号由c改成d。 修改第9页，将旧编码更改为新编码，增加版本号. 删除左上角代号。 第1页增加Don't install the air conditioner in salty air surrounding (near the coast).</p> <p>3、版本号由d改成e： 增加Lot法规参数</p> <p>4、版本号由e改成f： g故障代码表7-1，EE和E8对调, E2和E3对调</p> <p>5、版本号由f改成g： 参数表的代号去掉后缀，增加新S挂壁显示板示意图</p> | |
| 2021. 1. 12 | | | 说明书材质更改为双胶纸80克，说明书内容不变，图号不升级。 | 陈海清 |
| 2021. 5. 21 | | | 更新第6页故障代码表Table 7-1。 | 于丽君 |
| | | | | |
| | | | | |
| | | | | |
| | | | | |
| | | | | |